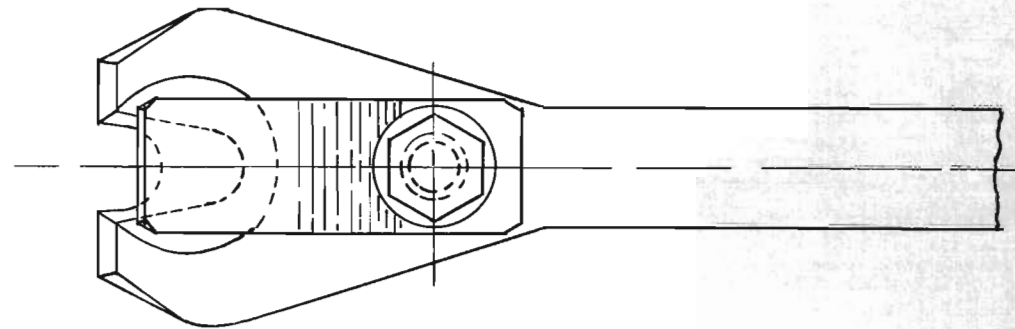
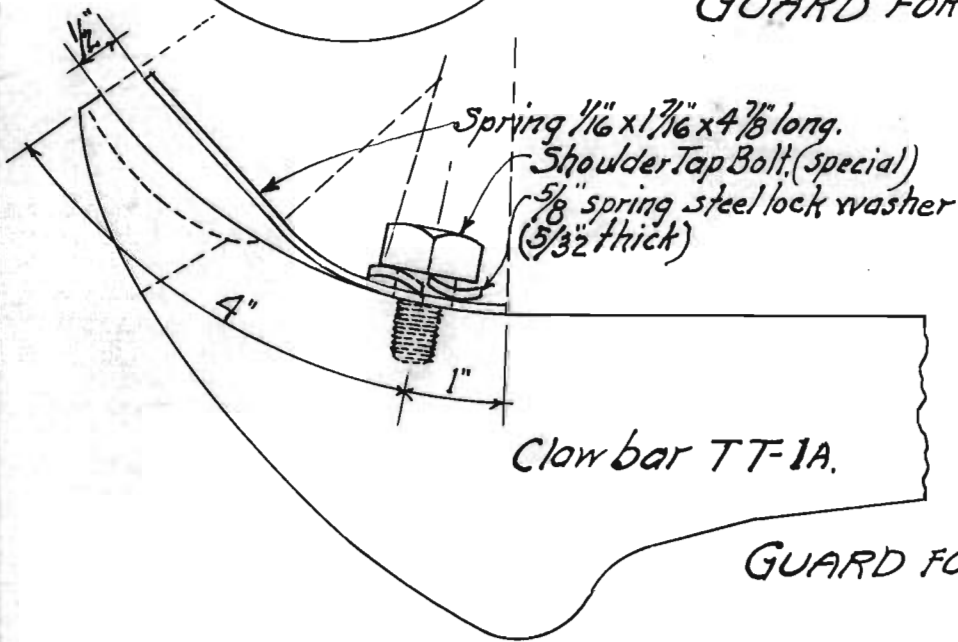
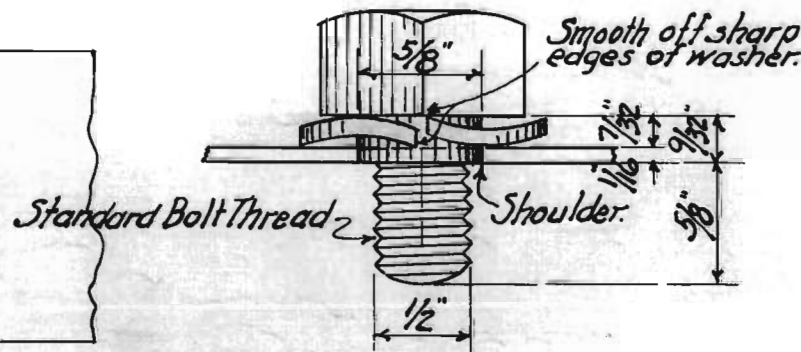
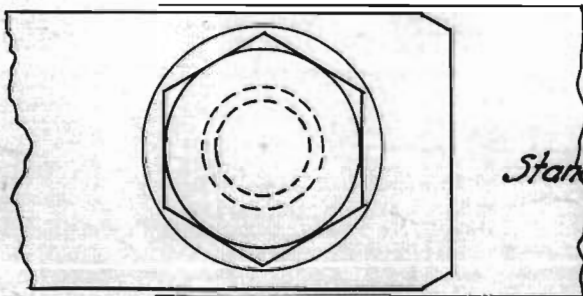


GUARD FOR CLAW BAR TT-1.



GUARD FOR CLAW BAR TT-1A



DETAIL OF TAP BOLT - FULL SIZE.

N.P. Ry.
Standard Plan
of Track Tools.
Claw Bar Guard.

Scale: $\frac{1}{2}$ size. May 4th, 1935.

Approved:
Bernard Blum
 Chief Engineer.
J. H. ...
 Vice President.