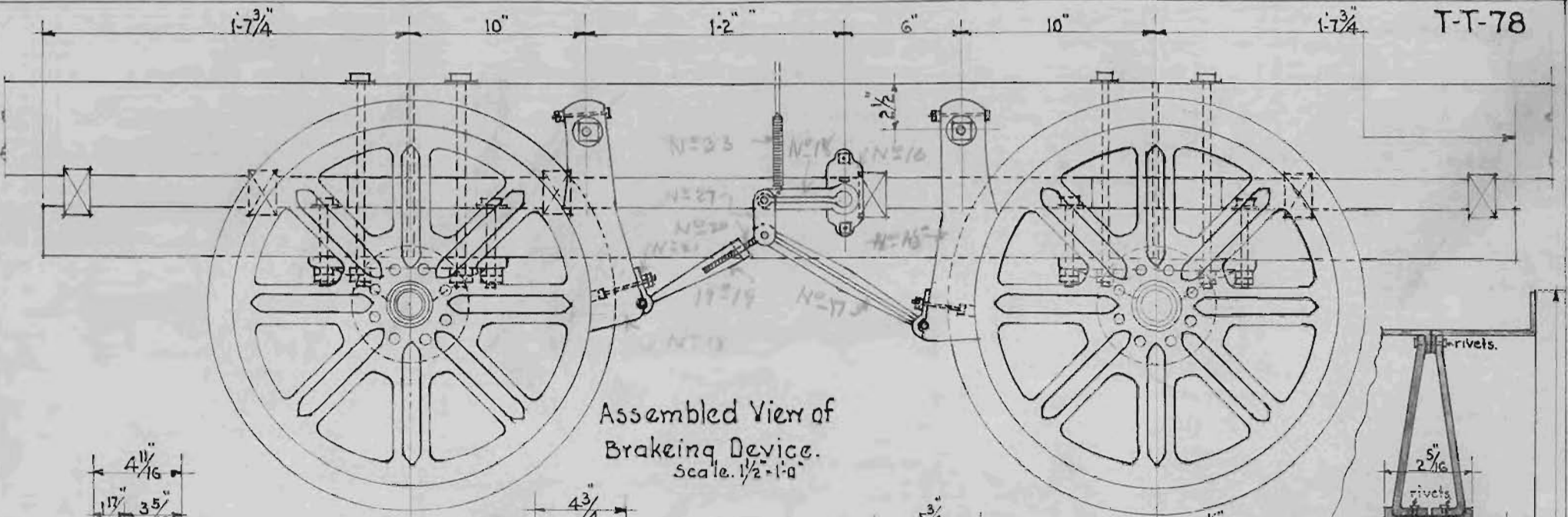
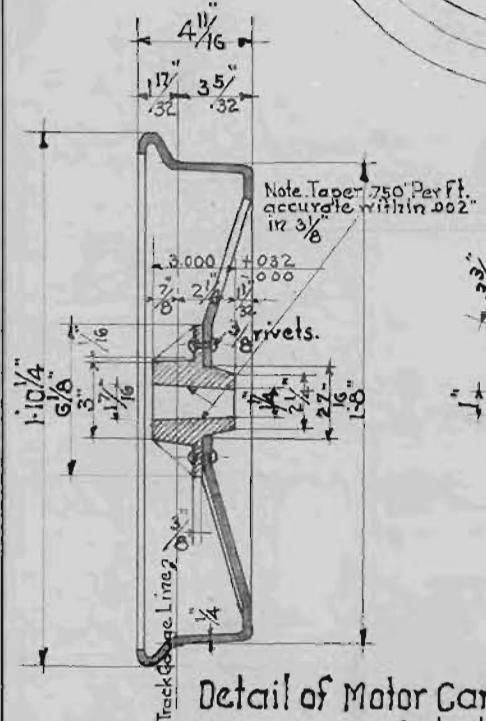


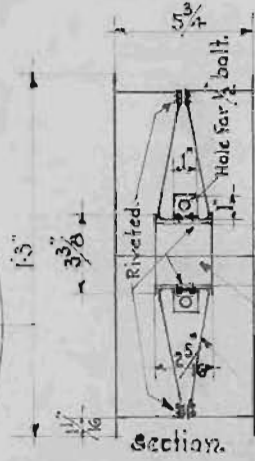
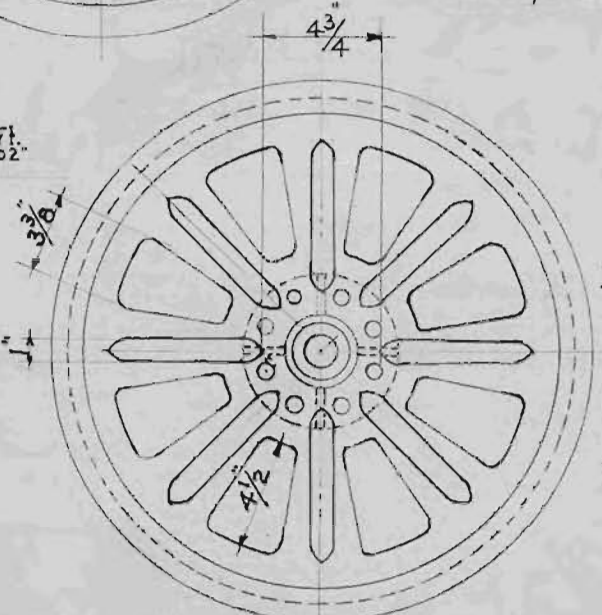
T-T-78



Assembled View of Braking Device. Scale. 1/2-1-0

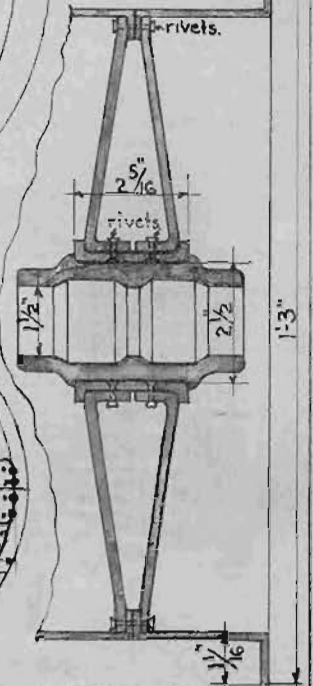
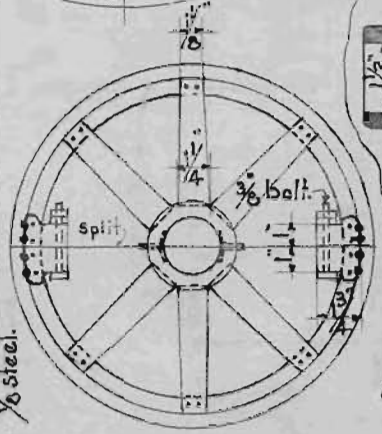


Detail of Motor Car Wheels. Scale 1/2-1-0

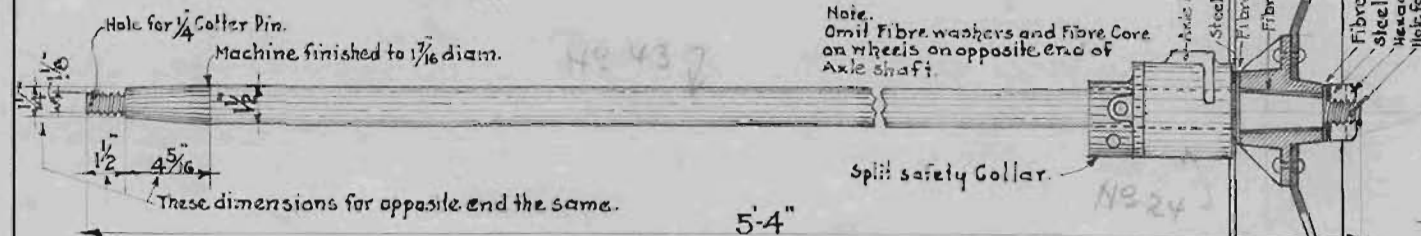


Section.

Detail of Pulley Wheel on Rear Axle. Scale 1/2-1-0



Section. Scale 3-1-0



Detail of Axle shaft. Scale 1/2-1-0

Scale as noted.

N.P.R.Y.
Standard Plan.
of Track Tools
Motor Car Body for
Section use.

Jan. 29-1926

Chief Engineer.
Vice President.