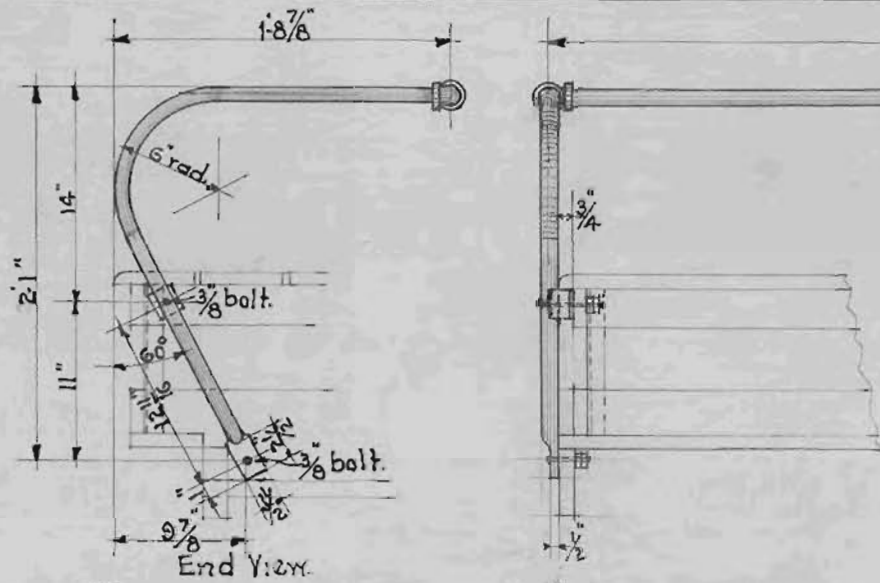
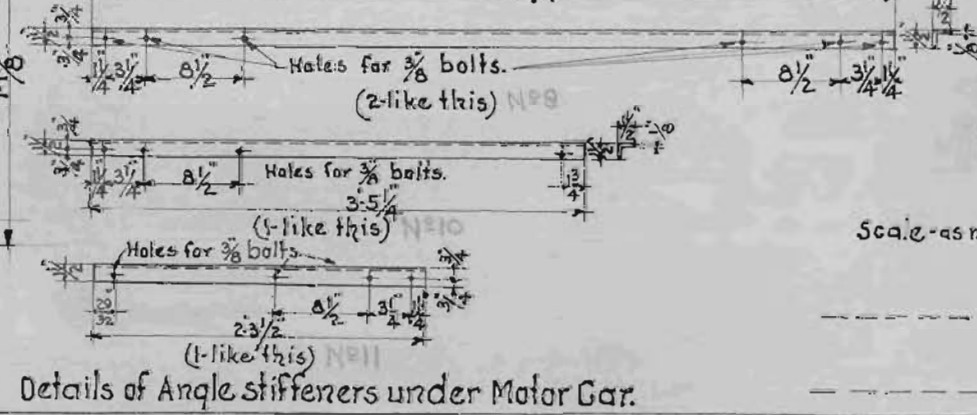
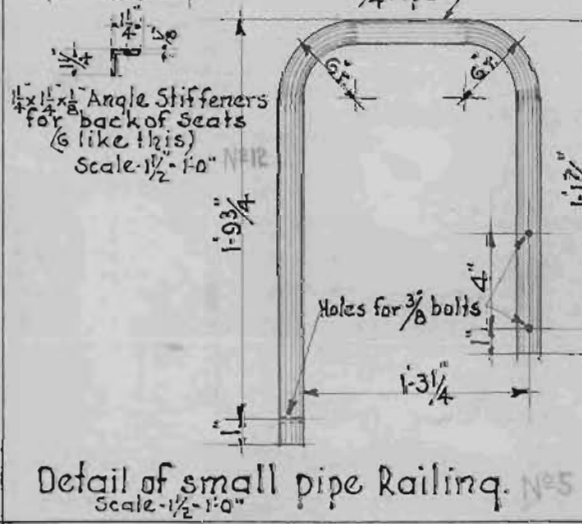
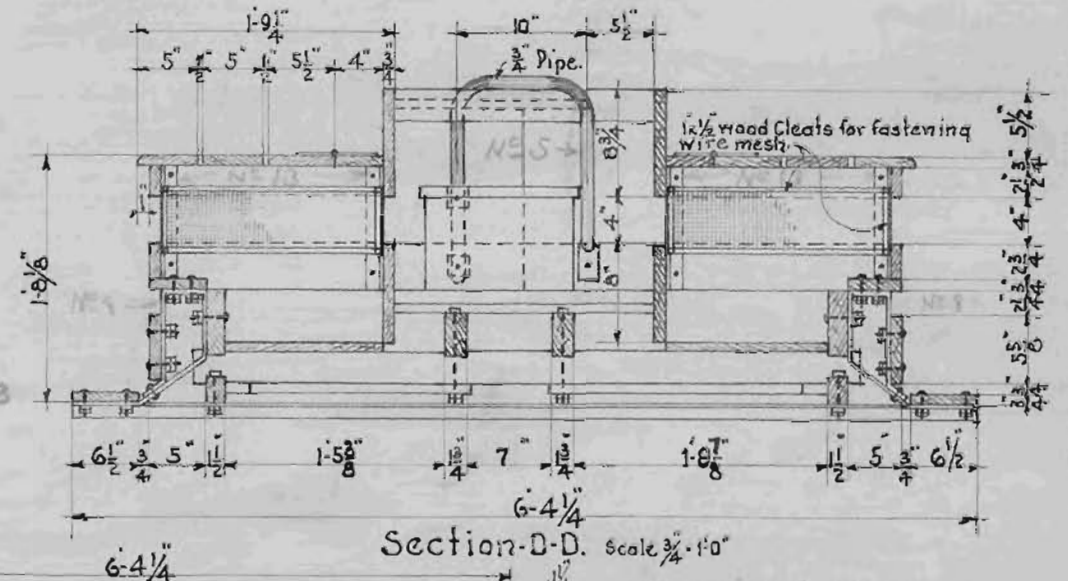
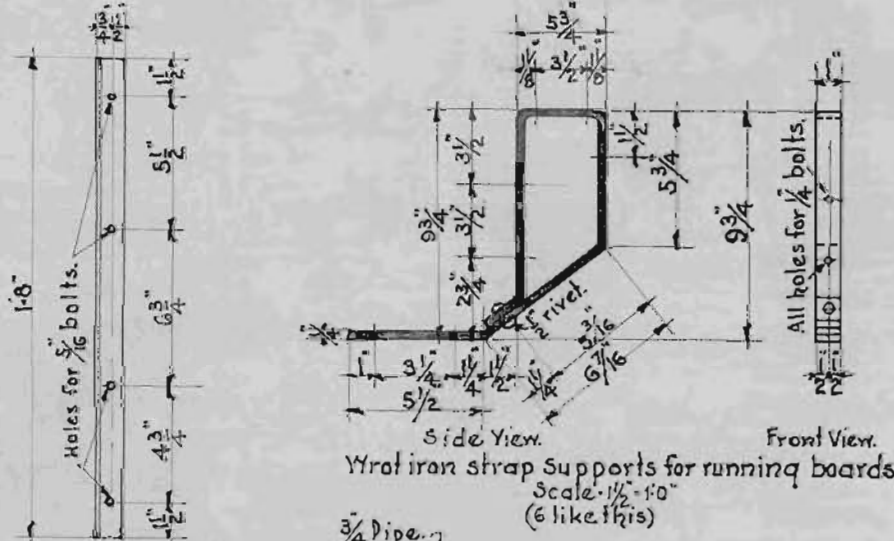
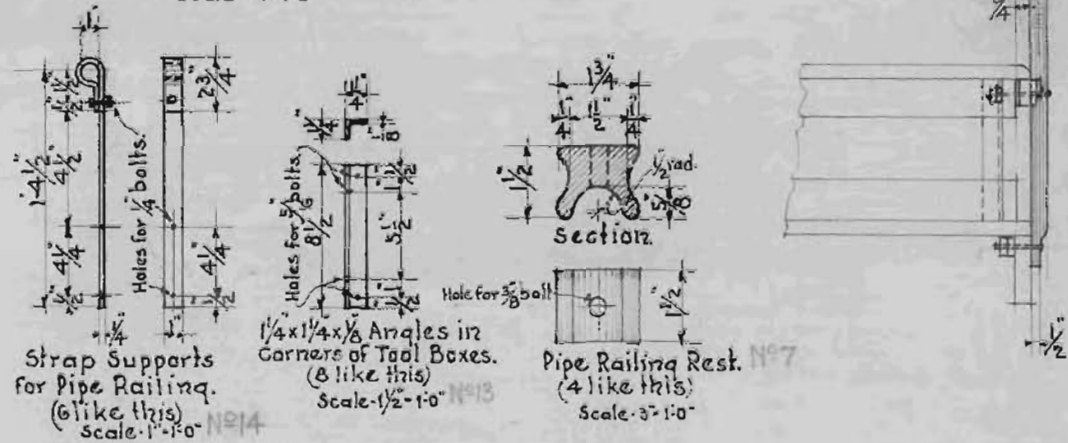


T-T-79



Front View.
Detail of Pipe Railing. N^o6
Scale-1'-1-0"



Scale-as noted.

Jan 20 1926

Chief Engineer:

Vice President.