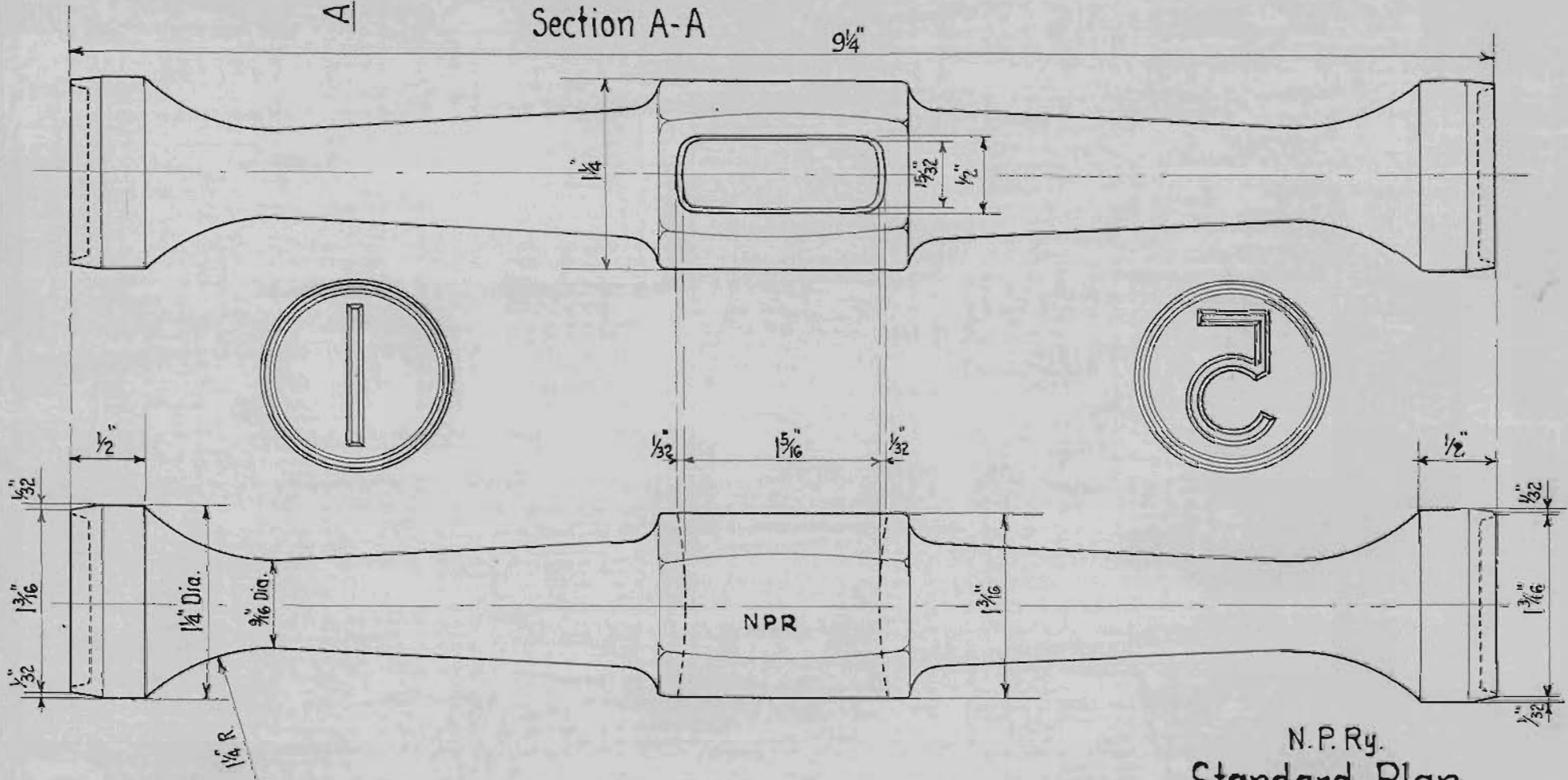


Section A-A

9/4"



Material to be Cold-rolled Steel with faces Case Hardened.
To be made in combination 1-5 & 3-4

N.P.Ry.
Standard Plan
of Track Tools
Tie Branding Hammer
Scale: Full Size. Sept. 7th 1928.

Chief Engineer

Vice President.