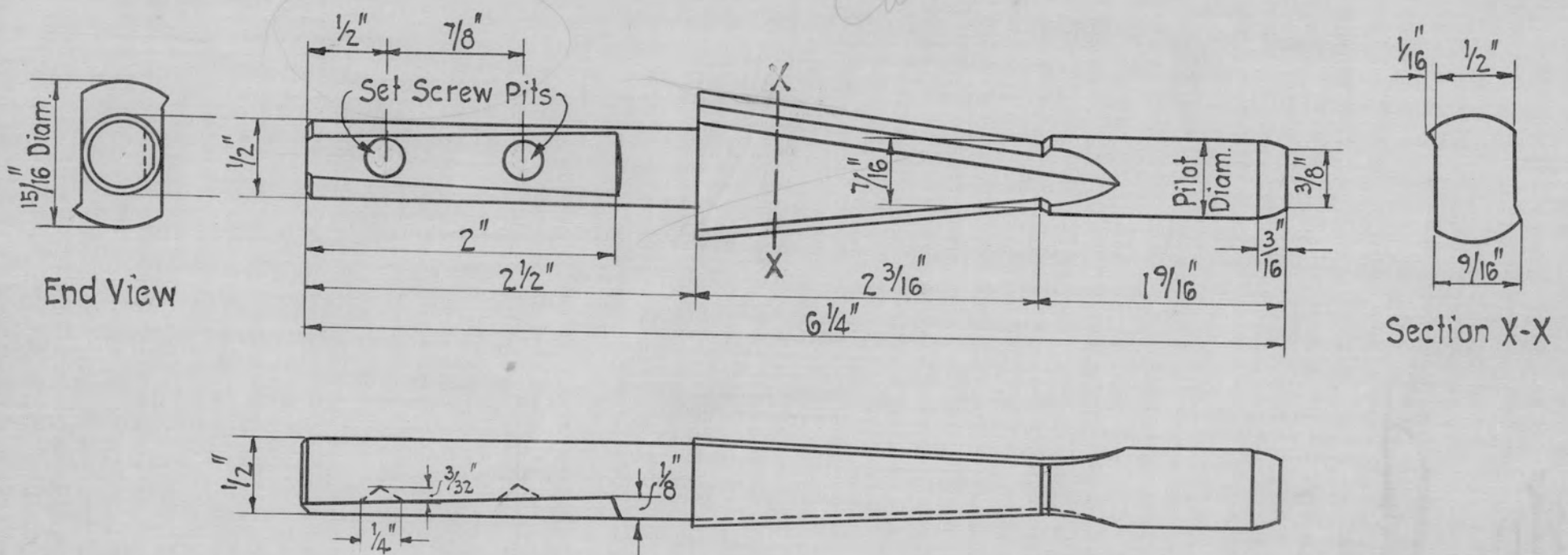


Cancelled



Reamers may be made with pilot diam. in two sizes and these should be stamped as follows:

- Reamer with pilot diam. 9/16" for 5/8" bored hole to be stamped 1.
- " " " " 1/2" " 9/16" " " " " " 2.

Note: This reamer furnished 1945.
For future orders use plan Sheet TT-109 A

N.P.Ry.
Standard Plan
of Track Tools
Spike Hole Reamer for Screw Spikes

Scale: Full Size
Approved: _____
Chief Engineer

May 31, 1945.
Rev. 11-23-45.
" 2-15-46.

Vice President