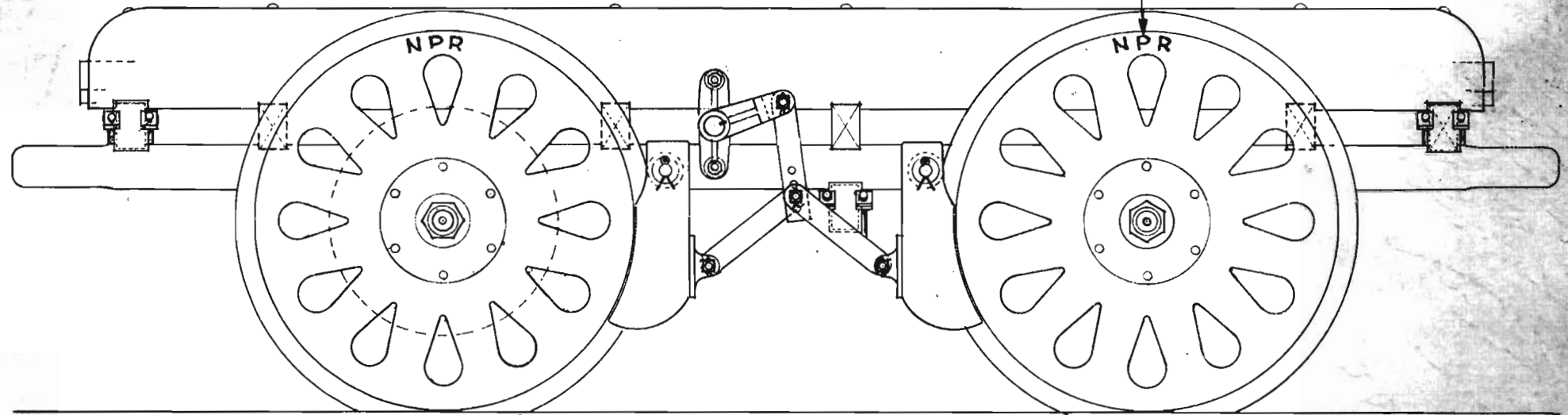
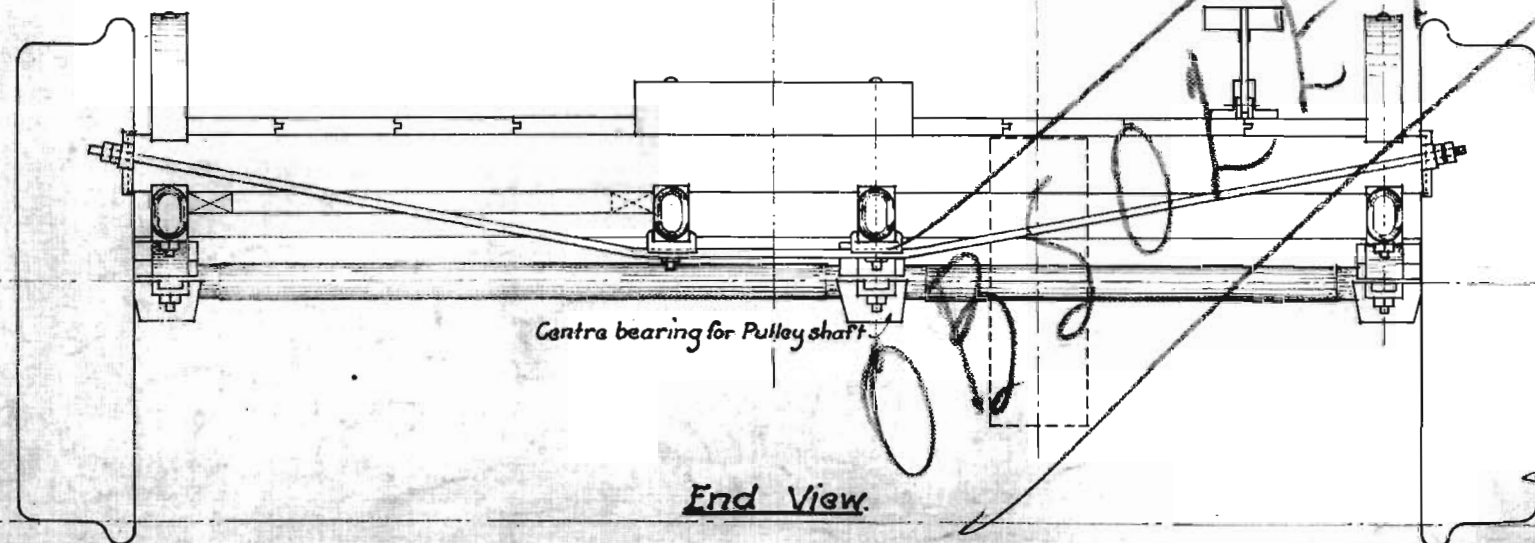


Letters to be min. 3/8" high



Side View.

Flange and tread of all wheels used on motor cars must conform to M.C.B. Standard.



Centre bearing for Pulley shaft

End View.

Handwritten text: 'COPY' and 'SOLVENT' with diagonal lines.

N.P.Ry.
Standard Plan
Track Tools.
Motor Car Body.

Scale 1/2" = 1'-0" Sept. 21, 1915.

[Signature]
 General Manager.
[Signature]
 General Manager.
[Signature]
 Chief Engr. M. of W.
[Signature]
 First Vice President.