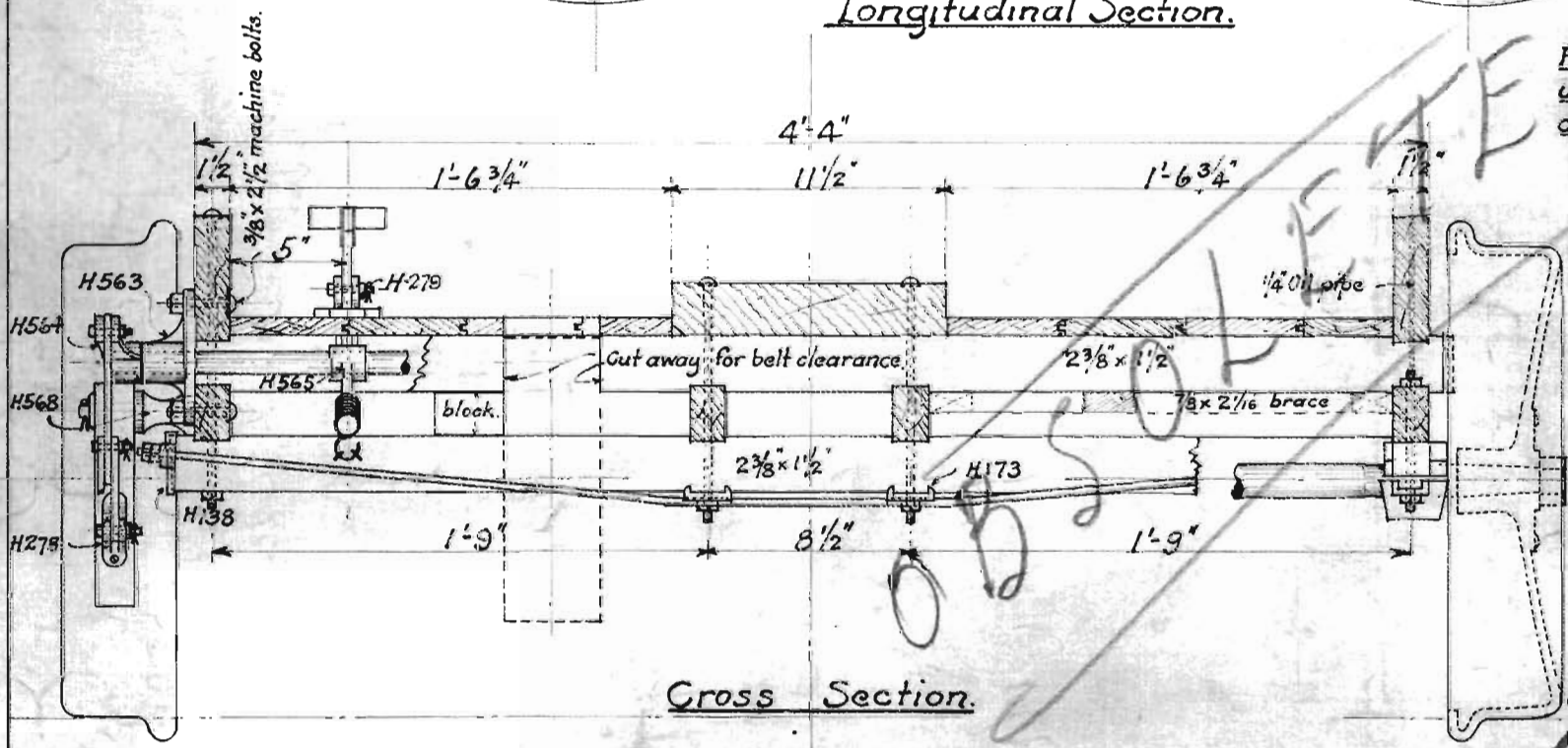


Longitudinal Section.



Cross Section.

Flange and tread of all wheels used on motor cars must conform to "MCB" Standard.

N.P.Ry.  
Standard Plan  
of  
Track Tools.  
Motor Car Body.

Scale 1 1/2" = 1'-0" Sept. 21, 1915.

*[Signature]*  
 General Manager  
*[Signature]*  
 General Manager  
*[Signature]*  
 Chief Engr. M. of W.

Revised Nov. 24-1925.

*[Signature]*  
 First Vice President.