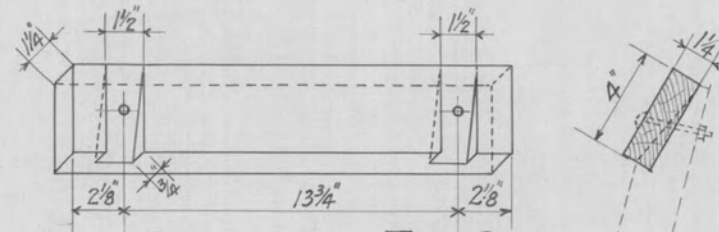
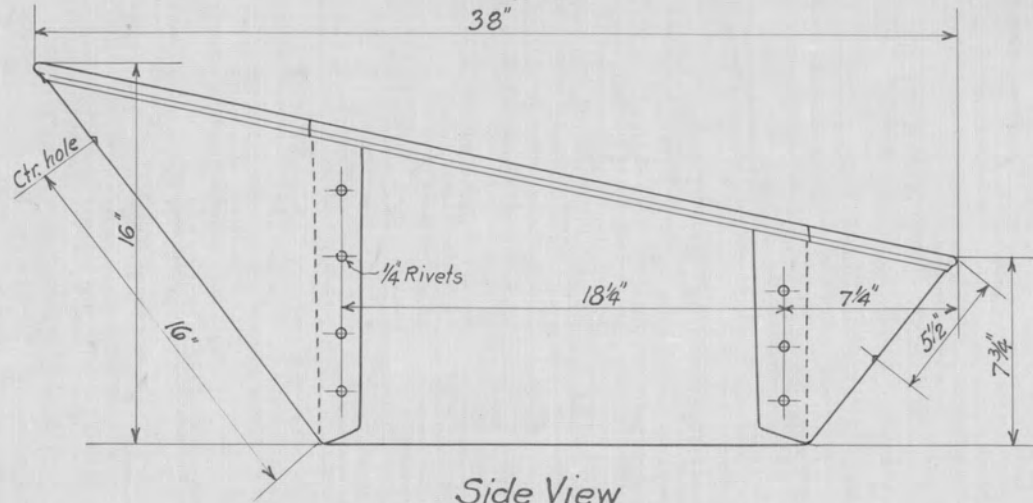


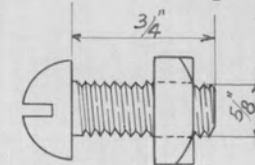
Tray Bolt  
2 Required.  
38"



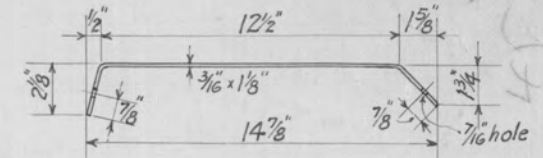
Tray Brace



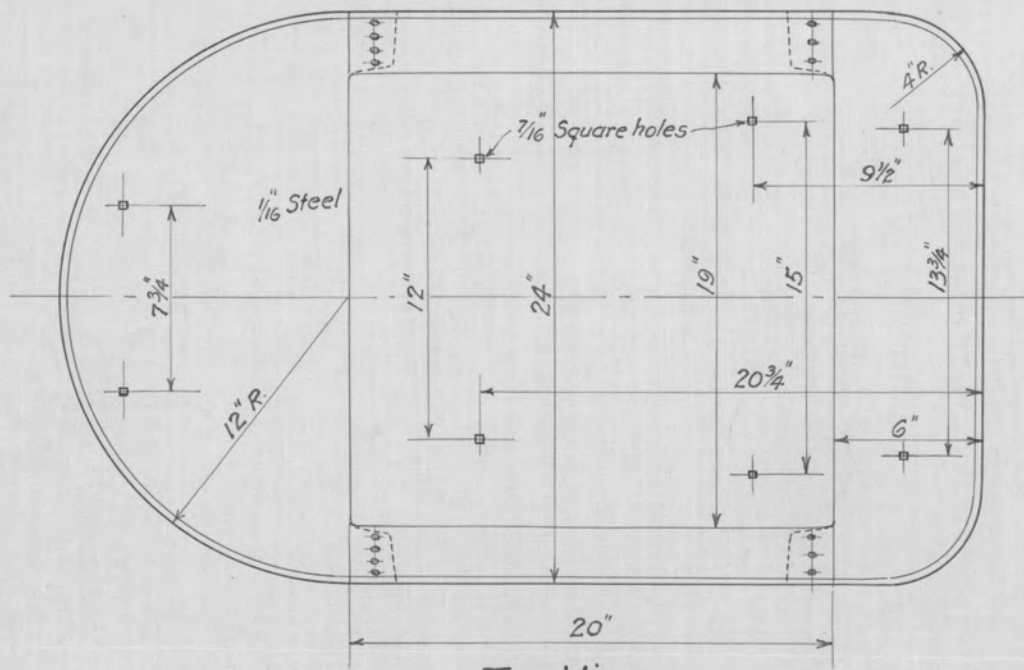
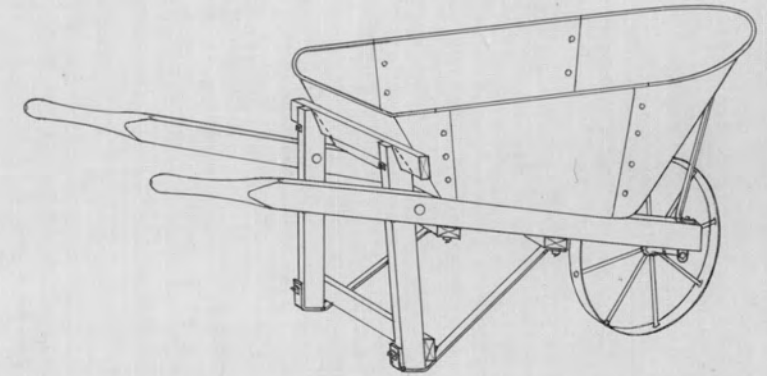
Side View



Stove Bolt  
2 Required.



Tray Brace  
2 Required



Top View  
Steel Tray

Void  
 See new TT-45  
 dated June 1916

N. P. Ry.  
Standard Plan  
of Track Tools  
Wheelbarrow  
for Concrete use.

Scale: 1/2" to 1'-0" April 1916.

..... Gen. Manager.  
 ..... Gen. Manager.  
 ..... Chief Engr of M. of W.  
 .....  
 ..... First Vice President.