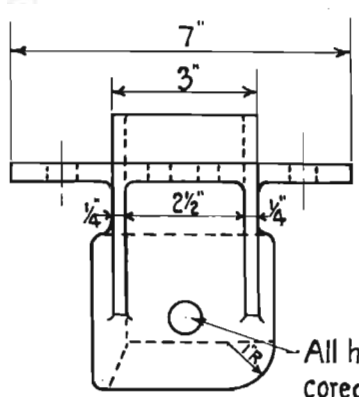
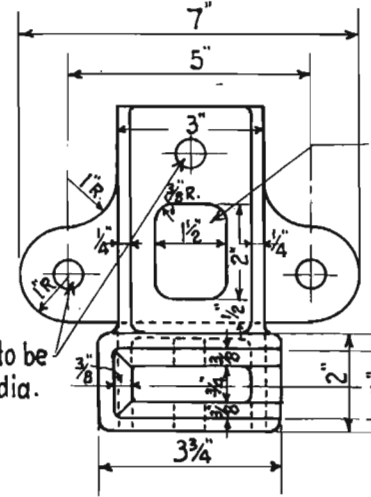


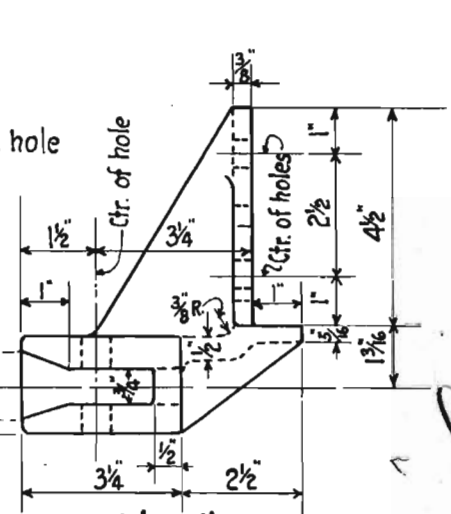
TT-87



Top View

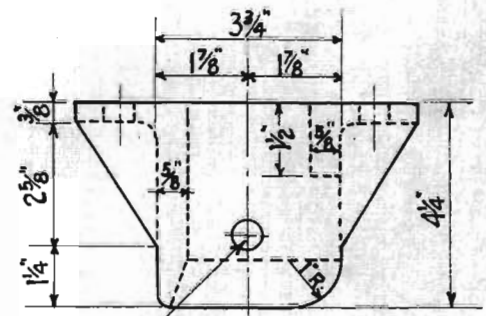


Front View

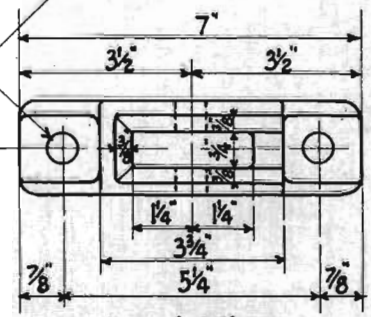


Side View

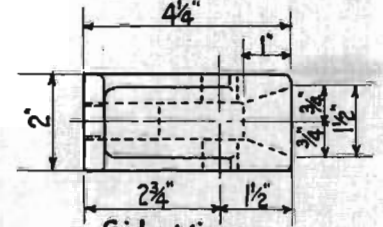
Detail of Push Car Coupler. Patt. HM-2



Top View

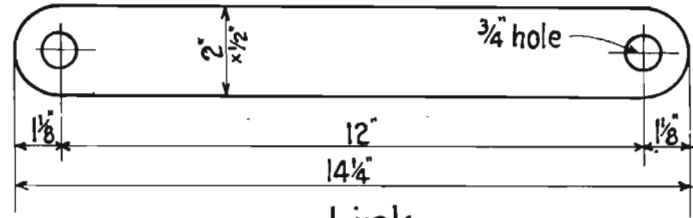


Front View

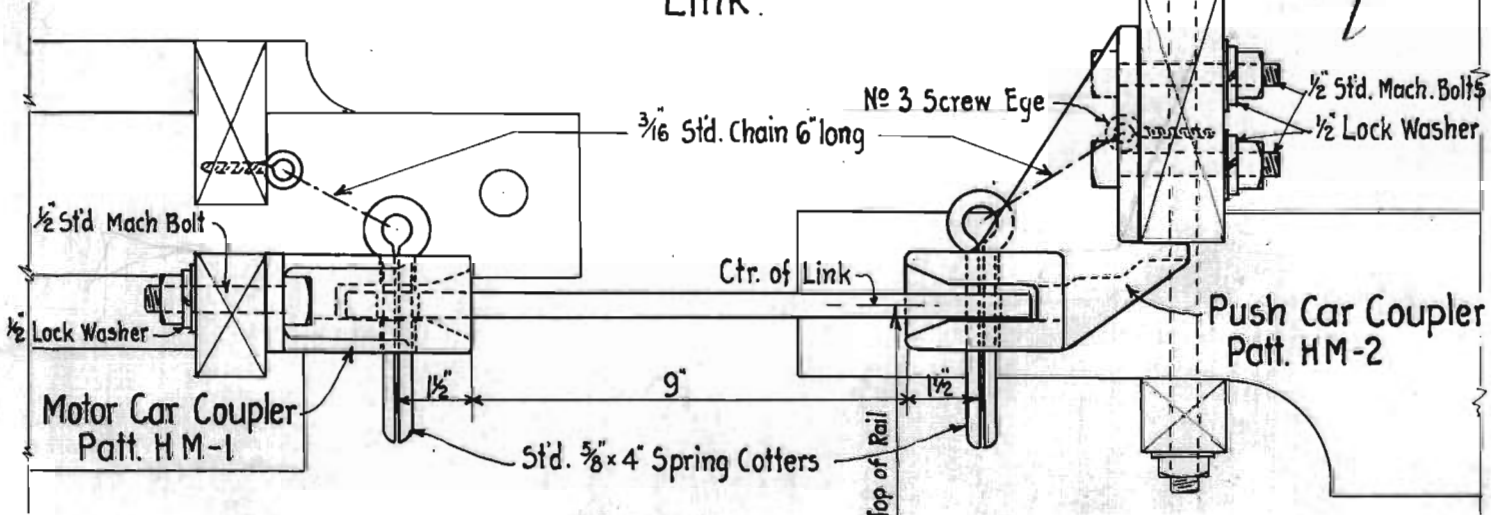


Side View

Detail of Motor Car Coupler. Patt. HM-1



Link



Assembly

*This plan void.
See plan SF-653.*

Scale: 3"=1'-0" Nov. 19th 1926.

See New Plan No TT-87A.

Chief Engineer.

Vice President.